

# AIR BREATHER/FILTER

The FILTON AIR BREATHER/FILTER is a robust, compact and efficient unit designed to allow flow of clean air to and from closed chambers where balanced atmospheric pressure is required.

## Applications

In gearboxes, bearing housings etc., the rotating parts create pressures which can cause damage to seals, loss of oil and complete failure. This problem can be eliminated by fitting a FILTON AIR BREATHER/FILTER.

It is essential that oil in hydraulic systems is free of external contaminants. A continuous volume change occurs in the hydraulic reservoir which can draw atmospheric contaminants into the system. A clean exchange of air is assured when a FILTON AIR BREATHER/FILTER is fitted.

A similar problem can occur with liquid storage tanks where the FILTON AIR BREATHER/FILTER can prevent contamination.

Temperature changes can cause pressure and vacuum to occur in closed machinery. A FILTON AIR BREATHER/FILTER will eliminate this problem.

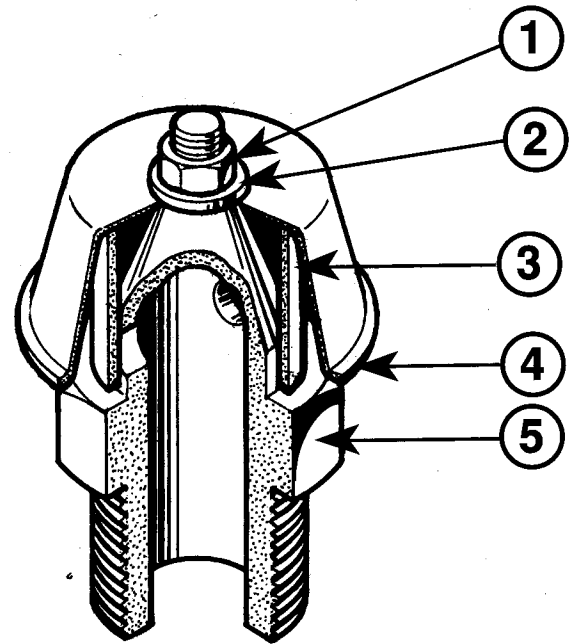
## Maintenance

The element does not need replacing, it is easily cleaned by reverse flow.

Periodically check the element for contamination.

## Specials

We can vary the materials of construction or the type of connecting thread if required.



## Specification

1. Locking nut - brass
2. Sealing/lock washer - nitrile rubber and spring steel
3. Element - sintered bronze available in 4 grades, see table below
4. Cover - stainless steel, type 304
5. Body - brass

## Flow Capacity

Grade Reference	Particle Retention Size Micrometres	APPROX. FLOW RATE *				
		R.1/8"	R.1/4"	R.3/8"	R.1/2"+R.3/4"	R.1"+R.1/4"
A	3 to 6	28	36	50	56	2166
B	15 to 25	113	170	395	555	3333
C	30 to 40	153	255	516	798	5250
D	55 to 75	185	353	578	1083	8500

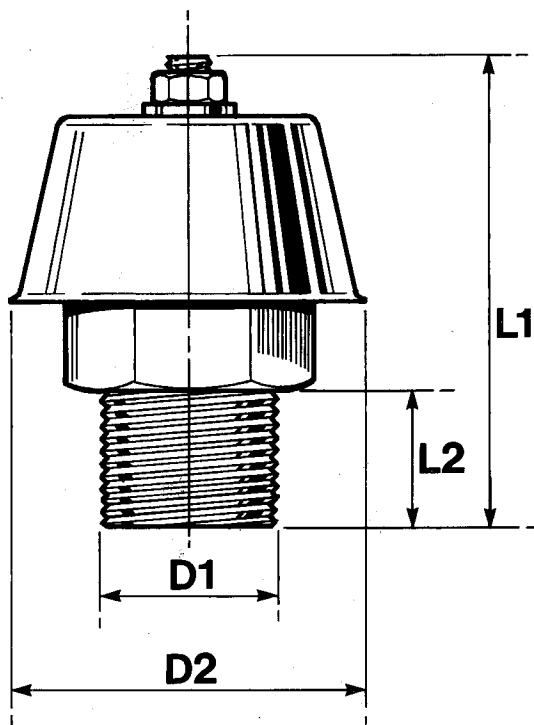
\* cubic centimetres/second for a pressure drop of 100mm wg: Pro-rata for other pressure drops.

## Dimensions

Part No.	D1▲	D2	L1	L2
14039	R.1/8"	21	37	10
14728	R.1/4"	24	45	14
14729	R.3/8"	35	48	14
14730	R.1/2"	45	62	19
14773	R.3/4"	51	66	20
14774	R.1"	80	100	24
14812	R.1 1/4"	80	100	26

Dimensions in millimetres

▲ B.S.P. taper threads to B.S.21 and I.S.O.R7



When specifying add the element grade letter as a suffix to the Part No.